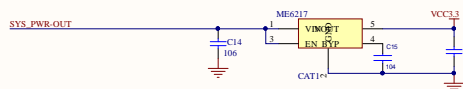
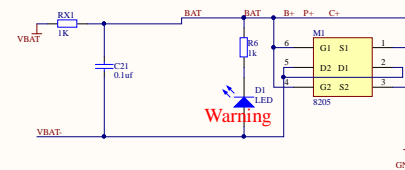
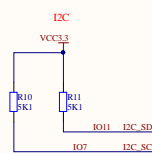
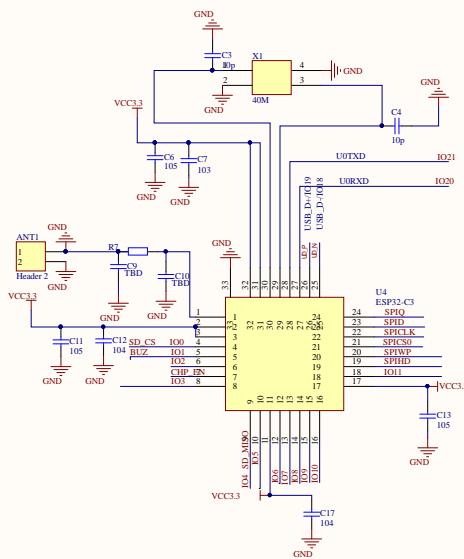


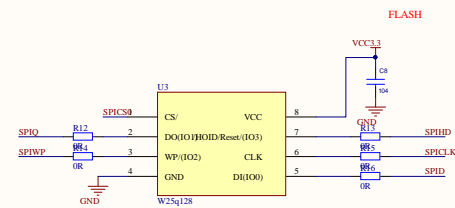
LDO降压



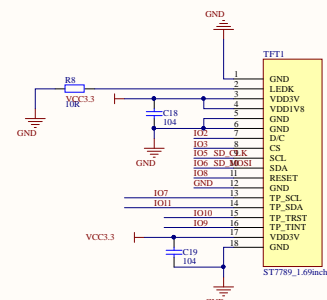
Spot Pear
SpotPear_LOGO



Warning



FLASH



Title			Revision
Size	Number		
Date	2024/5/15	Sheet of	
File	E:\PCB_3\ESP32-C3_1.69inch_SchDoc	Sheet of	
Drawn By			