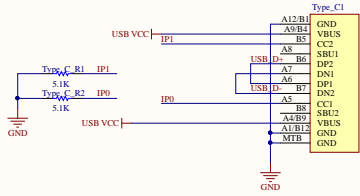
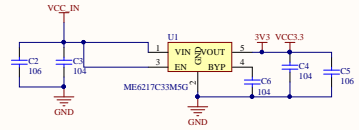


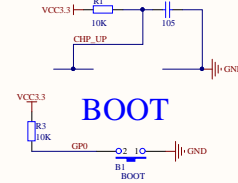
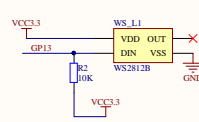
# TYPE-C



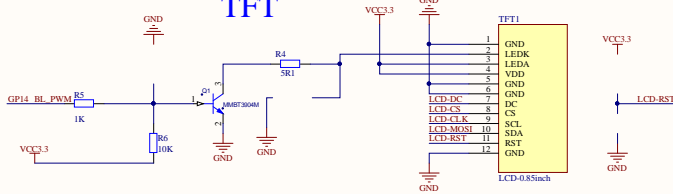
# POWER



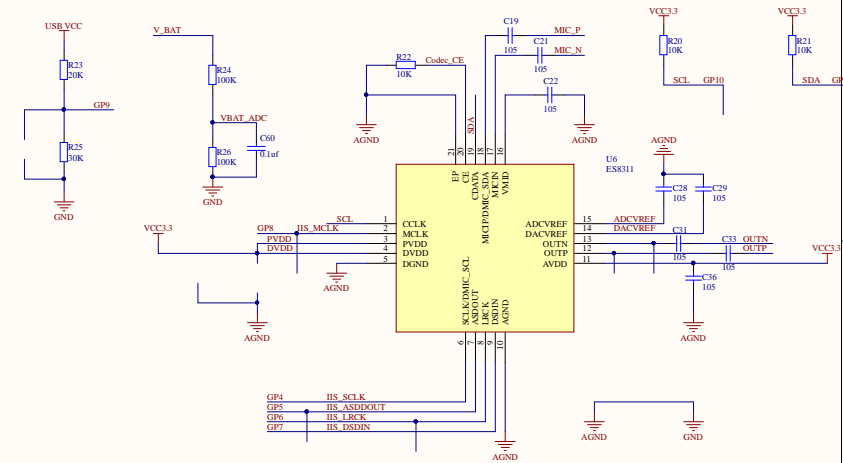
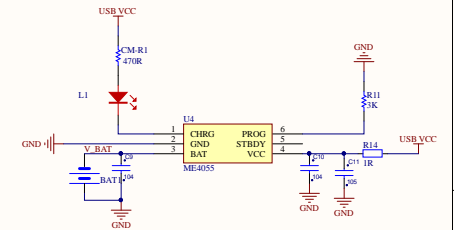
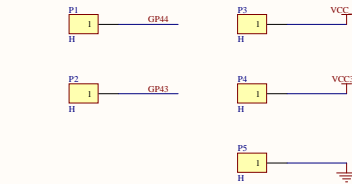
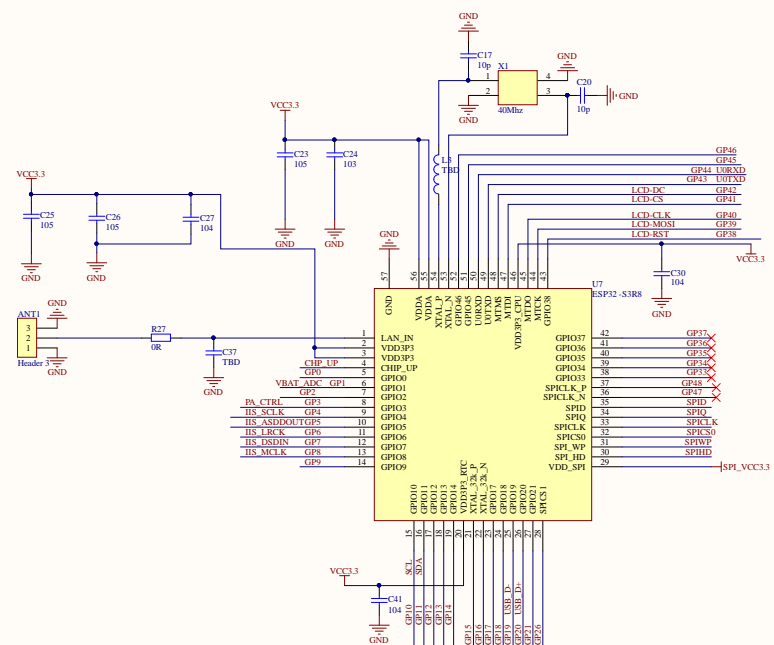
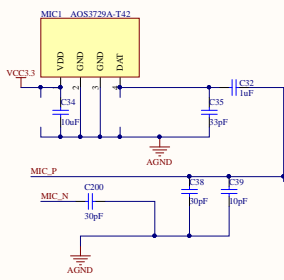
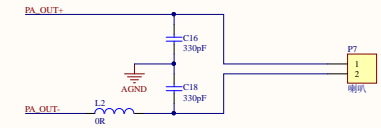
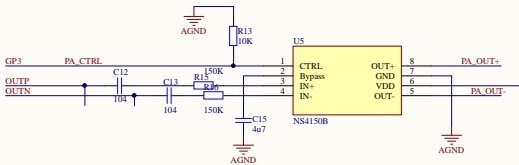
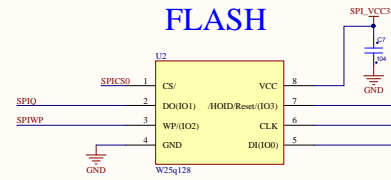
# RGB



# TFT



# FLASH



Title		Revision	
Size	Number		
A2			
Date:	2026-01-01 11:33	Sheet	of
File:	E:\users\...ESP32-S3-085-A1-SchDoc	Drawn	By: