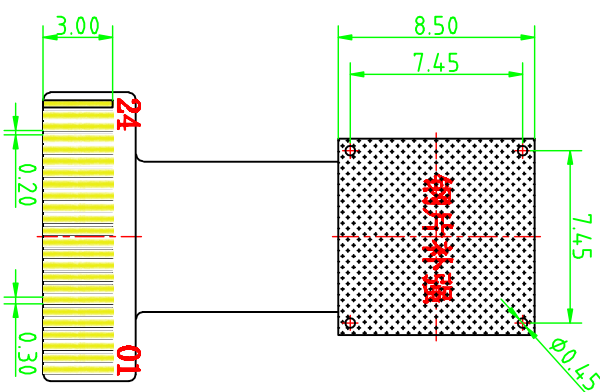
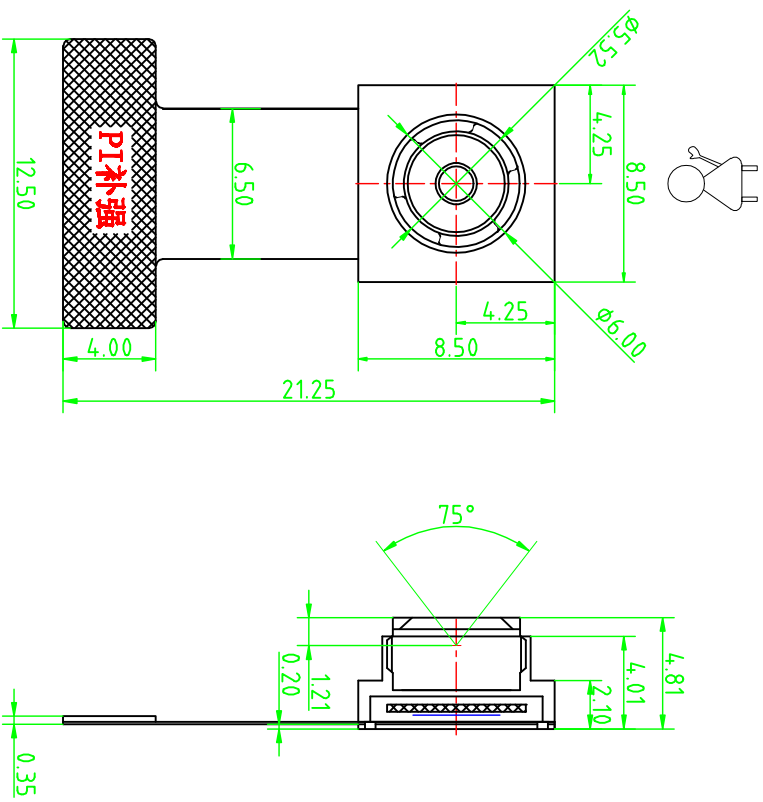


ROHS

Connector
24Pins Description

NO.	NAME
01	NC
02	AGND
03	SIO_D
04	AVDD_28
05	SIO_C
06	RESET
07	VSync
08	PWDN
09	HS(HREF)
10	DVDD_12
11	DOVDD_
12	D9
13	MCLK
14	D8
15	DGND
16	D7
17	PCLK
18	D6
19	D2
20	D5
21	D3
22	D4
23	NC
24	NC



DIV.	VALUE	ANGLE
0~10	±0.05	0~30° ±0.3°
10~30	±0.075	31~90° ±0.5°
30~80	±0.12	
80~90	±0.2	

由 Autodesk 教育版产品制作

LENS PARAMETERS	ELEC. PARAMETERS
EFLm(mm)	5P+650nm IR
Aperture(F/No.)	2.25±5%mm
Field of View(°)	Array Size
TV Distorsion(%)	Analog(AVDD)
Chief of Ray Angle(°)	I/O(DOVDD)
	Core(DVDD)
	Chief of Ray Angle(°)

TITLE : OV5640CSP-8225N-VC		SCALE :
UNSPECIFIED TOL :	DWN.BY :	1:1
XXX ± 0.005	TANG 20 / 12 / 2016	
.XX ± 0.05	CHK.BY :	
.X ± 0.1	APP.BY :	
∠ ± 0.5°	CAD NO.:	
ALL DIMENSION IN MM	REMOVE ALL BURRS	DO NOT SCALE
	BREAK SHARP EDGES	SHEET OF
		P1/1
		A4