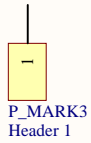
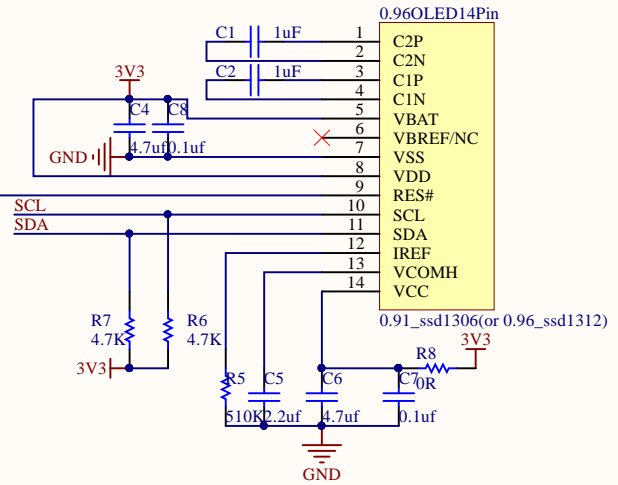


Spot Pear
SpotPear_LOGO



Title		
Size	Number	Revision
A4		
Date:	2023/5/13	Sheet of
File:	F:\pcb\...\0.96inch OLED 64x128 14pin.SchDoc	
	Drawn By:	