

## 1.28" Rotating LCD Module

### 1. Hardware Introduction

This chapter mainly introduces the product appearance diagram, hardware configuration diagram and tools required for debugging.

#### 1.1. Product Appearance

The following is the appearance of the product corresponding to this model (hardware interfaces, etc., vary according to the specific model of backplane components), as shown in Figure 1.1-1




Note: There is no key structural process modification or major layout adjustment, only changes in product process or reliability. The company will not initiate changes to the outside product appearance. The specific items are subject to the received goods.




#### 1.2. About variety and customization

This knob screen supports color customization with rotary and press functions for encoder adjustment We develop a variety of display solutions



## 2. Product Specifications

 <b>Product parameter</b>	
Model	<b>DFX1.28 -240240-Knob</b>
Product serial	1.28 series
Core processor	150MHz SOC processor
Size	1.28 inch
Resolution	240RGB × 240
Active area(mm)	Φ 32.40
Product size(mm)	Φ 50.00 × 30.20(H)
Color	65K,16 bit RGB
Storage	64Mb in total (customer available 50Mb)
Pictures format	.jpg and .bmp format is supported.
Font	Comes with ASCII encoding font (can display English and Arabic numbers),also supports DZK font.
Download pictures	Micro USB
Firmware update	Micro USB
Display response speed	≤50ms
Feature	Uniform black cover
Control mode	Rotate and press or Touch[Touch selectable]
 <b>LCD screen</b>	
Display type	TFT LCD
Back light	LED
Brightness(nit)	210
Backlight life(hour)	20000
Contrast	800
Perspective(T/B/L/R)	80/80/80/80
 <b>Environmental electrical parameters</b>	

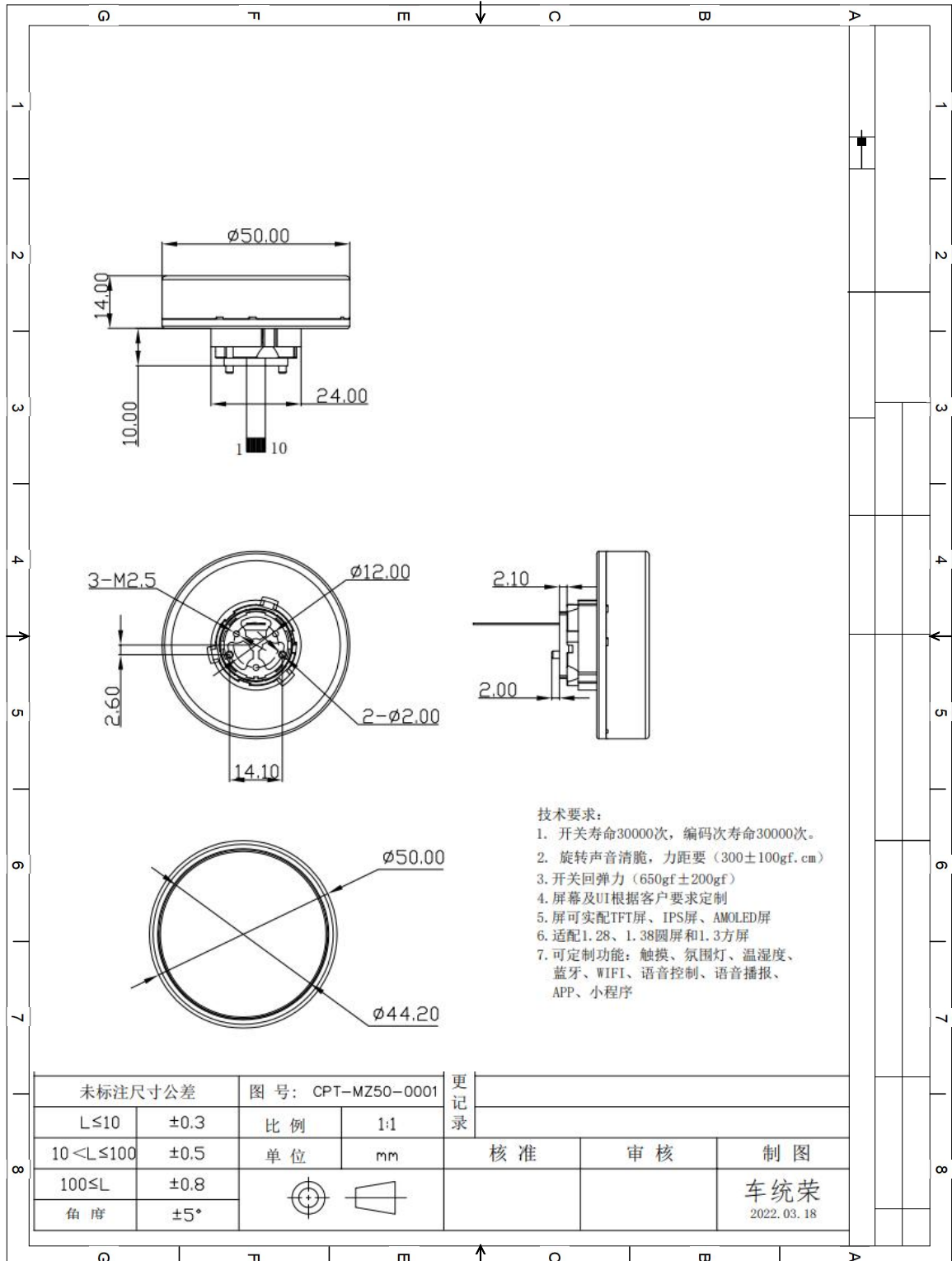
Voltage	DC 5V (Rating)
Power consumption	5V/150mA(Max brightness)
Working temperature	-20℃ ~ 70℃
Storage temperature	-30℃ ~ 80℃
Working humidity	10%~90%RH
Storage humidity	10%~90%RH
 <b>Communication interface parameters</b>	
Communication mode	3.3V TTL(5V TTL optional)
Baud	1200~115200,typical value is 115200
Data frame format	8N1
Communication plug-in specification	12Pin FFC cable
 <b>Other hardware specifications</b>	
Micro SD(TF) socket	Support
 <b>Product certification</b>	
Environmental protection grade	RoSH II



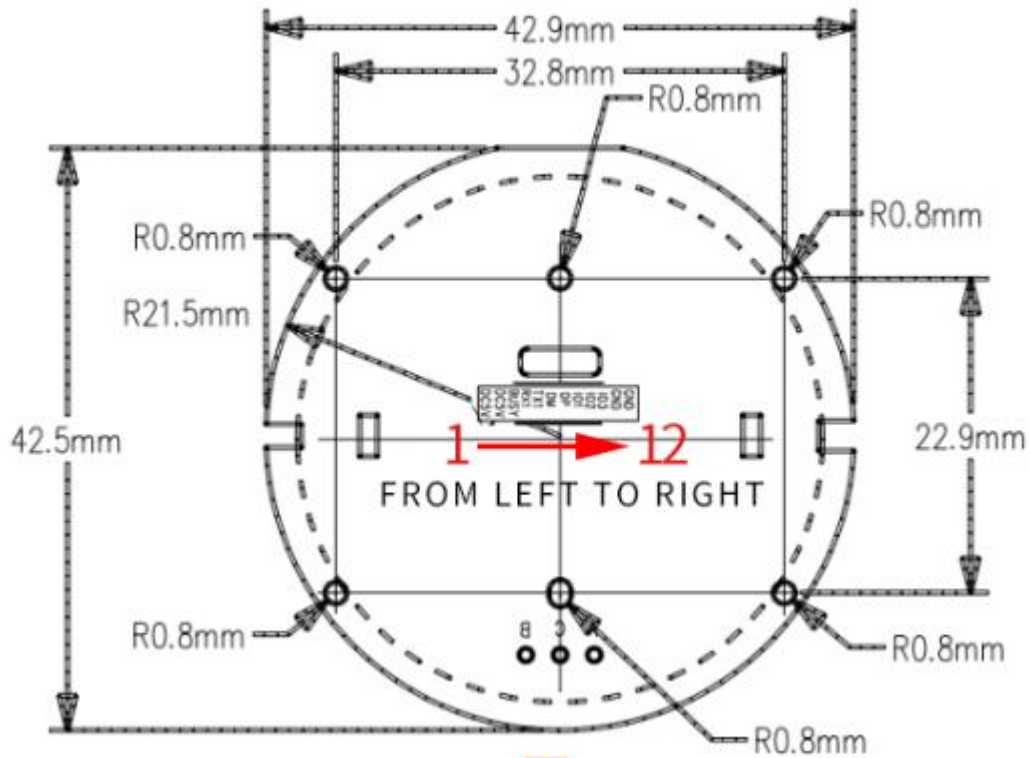
方案  
开发

1. Switch life of 30,000 times, encoder life of 30,000 times,
2. Rotate sound clear distance (300±100gf.cm)
3. Switch resilience (650g+200g)
4. Screen and UI are customized according to customer requirements.
5. Screen can be equipped with TFT screen, IPS screen, AMOLED screen
6. Suitable for 1.6-inch round screen.
7. Customizable functions: touch, ambient light, temperature and humidity, Bluetooth, WIFI, Voice control, voice broadcast, APP, small program

## 3. Product Structure



## Motherboard size drawing



CON1 引脚编号	引脚名称	引脚名称	说明
1	DC5V	电源输入+	-
2	DC5V	电源输入+	-
3	BUSY	接地后上电为升级模式	-
4	RXD	串口接收数据	-
5	TXD	串口发送数据	-
6	DM	USB数据线+	-
7	DP	USB数据线-	-
8	I00	GPIO	
9	I01	GPIO	
10	I02	GPIO	
11	GND	电源输入-	
12	GND	电源输入-	

## 4. UART Communication

### 4.1 Wiring

As shown in the figure below, connect the corresponding pins of the drive board.

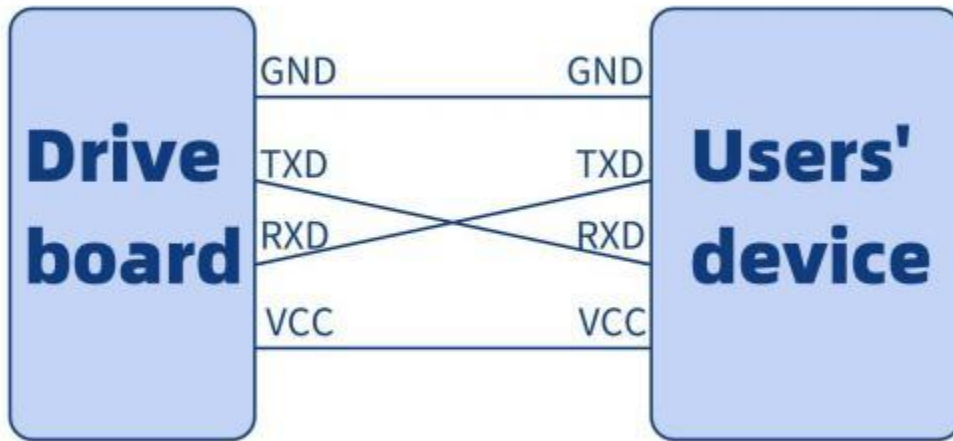


Figure4.1- 1 Schematic diagram of UART Hardware Connection

### 4.2 Serial Debugging Software

In principle, all serial port debugging software can be used, take "SSCOM V5.13.1" as an example.

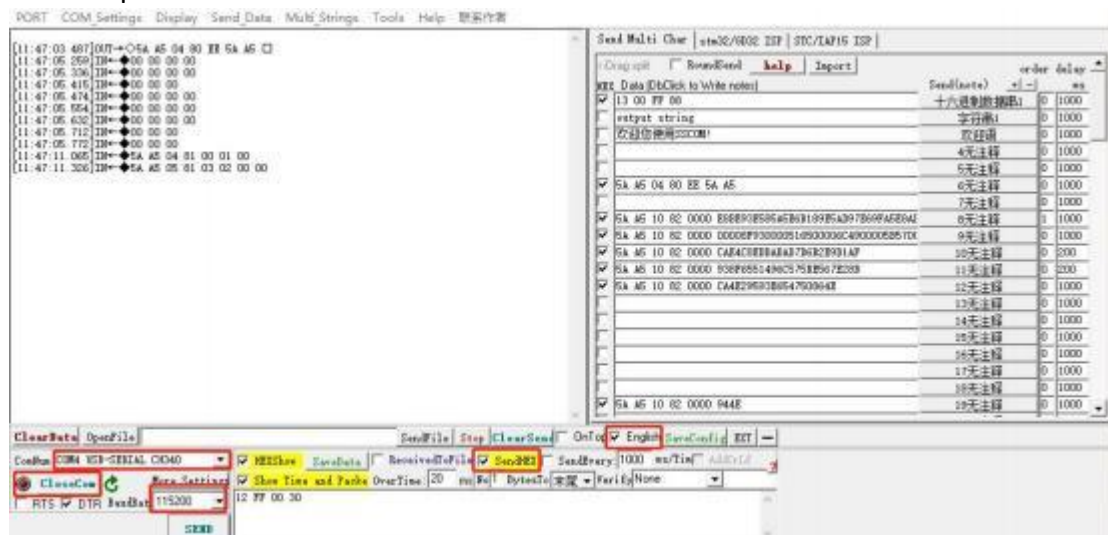


Figure4.2- 1 Interface Diagram of UART Debugging Software

Find the debugging port and select it. The baud rate must be consistent with that in the project file.

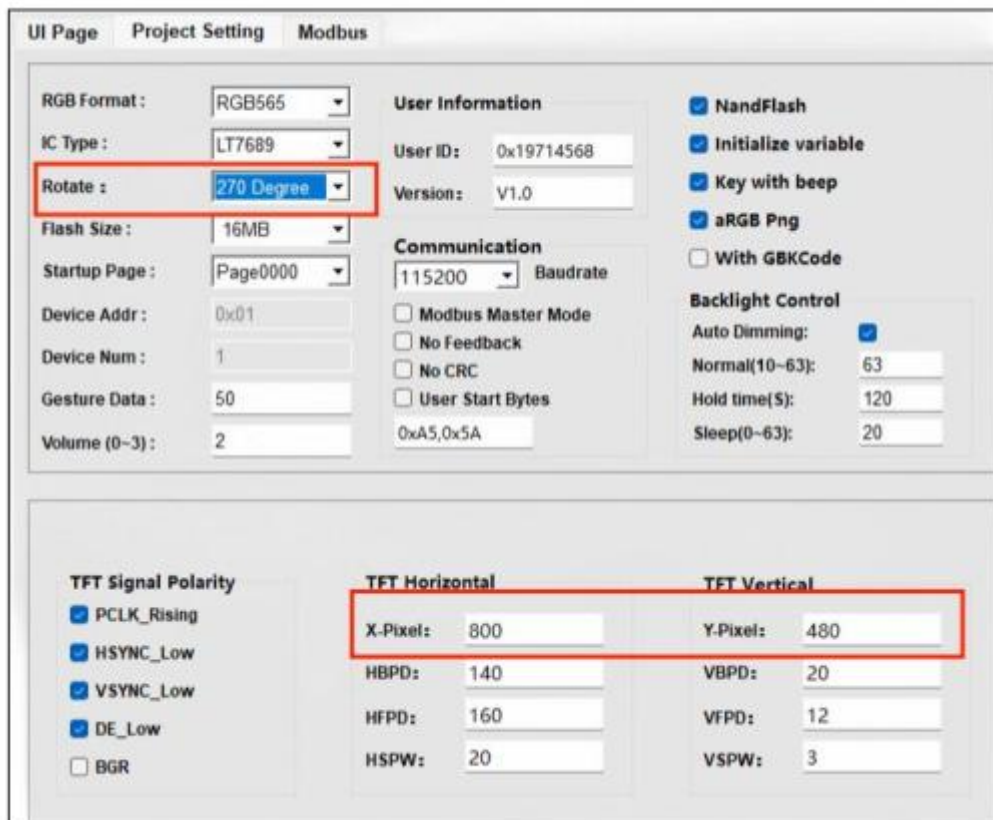
## 5. Software Development Mode

This model of product is developed based on UI\_Editor platform. Users can learn the specific software development methods, the corresponding technical documents,

development routines, guide videos and other relevant materials.

For more development information or technical support, please contact us.

Such as





## 8. Disclaimer

This document provides product information about Eastchip Intelligent Control Technology (shenzhen)Co.,Limited ,which aimsto assist customers to speed up product development progress,short development cycles,any routine programs provided in theservice process or other channels,technical documents,databmanuals,product drawings andother materials and information are for reference only,and customers have the right nottouseor tomodify and use for their own reference.The company does not provide any guarantee of completeness and reliability.If the customer causes special,incidental or indirect losses for any reason during the use process,thecompany does not assume any responsibility.