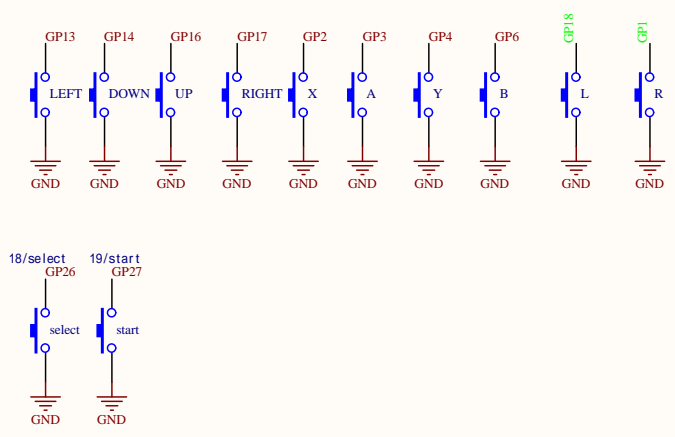
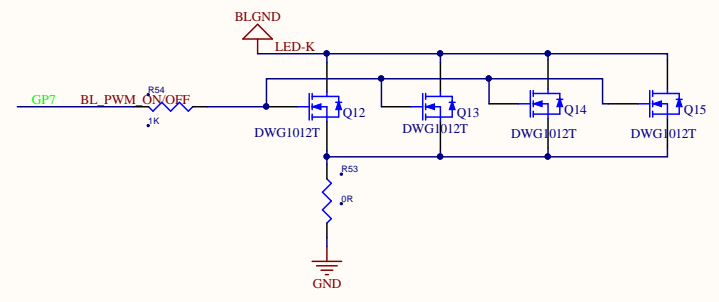
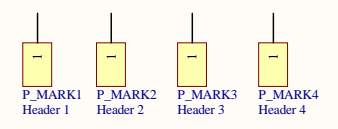
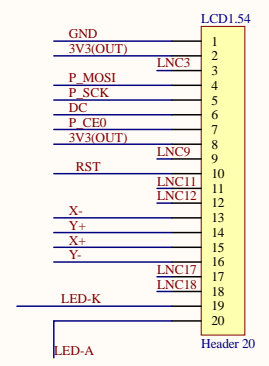
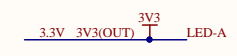


U1			
GP0	1	GPIO0	VBUS
GP1	2	GPIO1	VSYS
GND	3	GND	GND
GP2	4	GPIO2	3V3_EN
GP3	5	GPIO3	3V3
GP4	6	GPIO4	ADC_VREF
GP5	7	GPIO5	IO28/ADC2
GND	8	GND	AGND
GP6	9	GPIO6	IO27/ADC1
GP7	10	GPIO7	IO26/ADC0
GP8	11	GPIO8	RUN
GP9	12	GPIO9	GPIO22
GND	13	GND	GND
GP10	14	GPIO10	GPIO21
GP11	15	GPIO11	GPIO20
GP12	16	GPIO12	GPIO19
GP13	17	GPIO13	GPIO18
GND	18	GND	GND
GP14	19	GND	GPIO17
GP15	20	GPIO14	GPIO17
		GPIO15	GPIO16

Pi pico (40P)



GP8	DC
GP9	P_CE0
GP10	P_SCK
GP11	P_MOSI
GP12	RST



Title		
Size A4	Number	Revision
Date: 2024/7/3	Sheet of	
File: \\.\Pico 1.54inch LCD.SchDoc	Drawn By:	