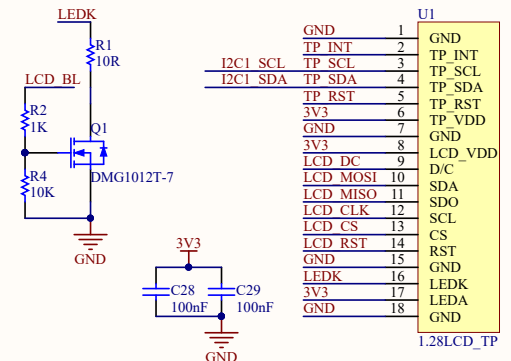
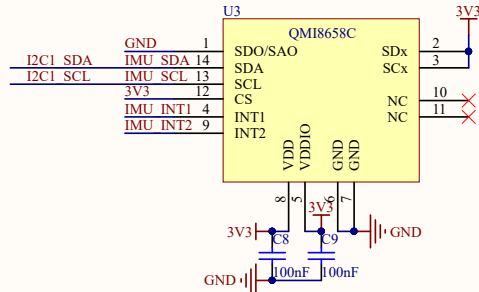
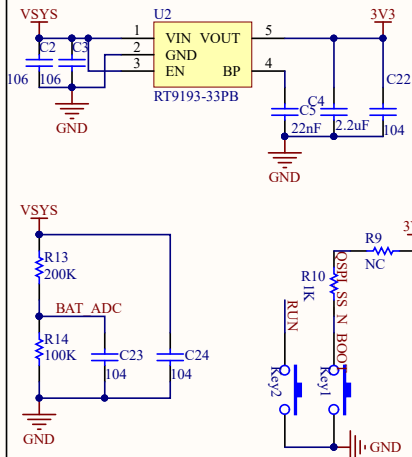
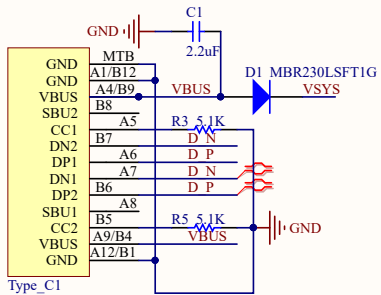
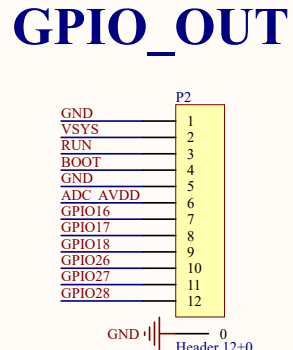
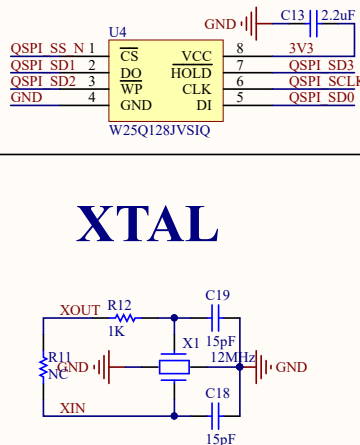
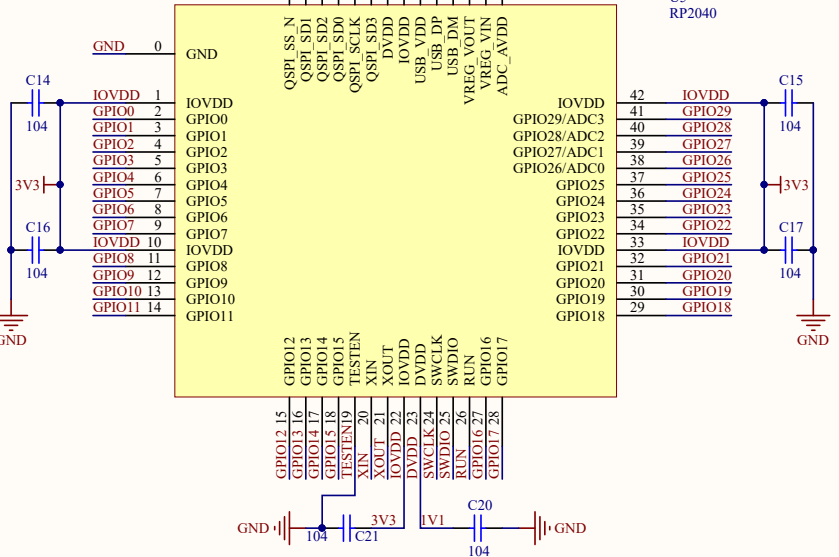
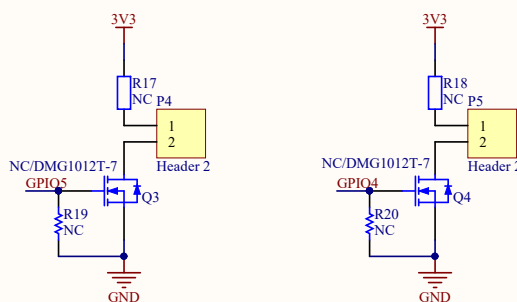
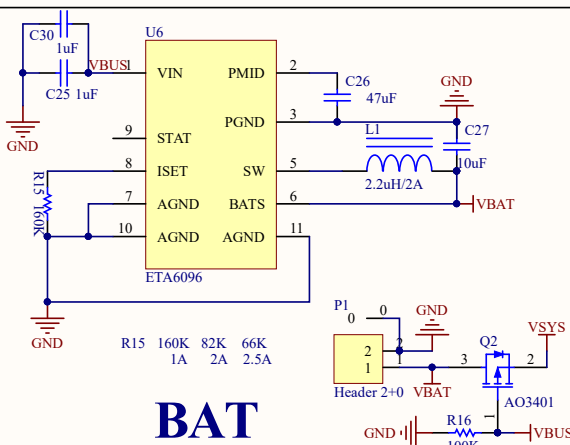
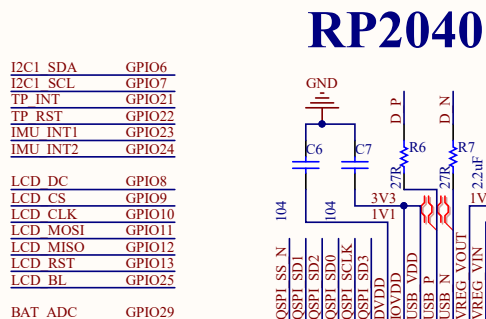


Type-C



RP2040-Touch-LCD-1.28

PCB: 1.0mm



RP2040-Touch-LCD-1.28

